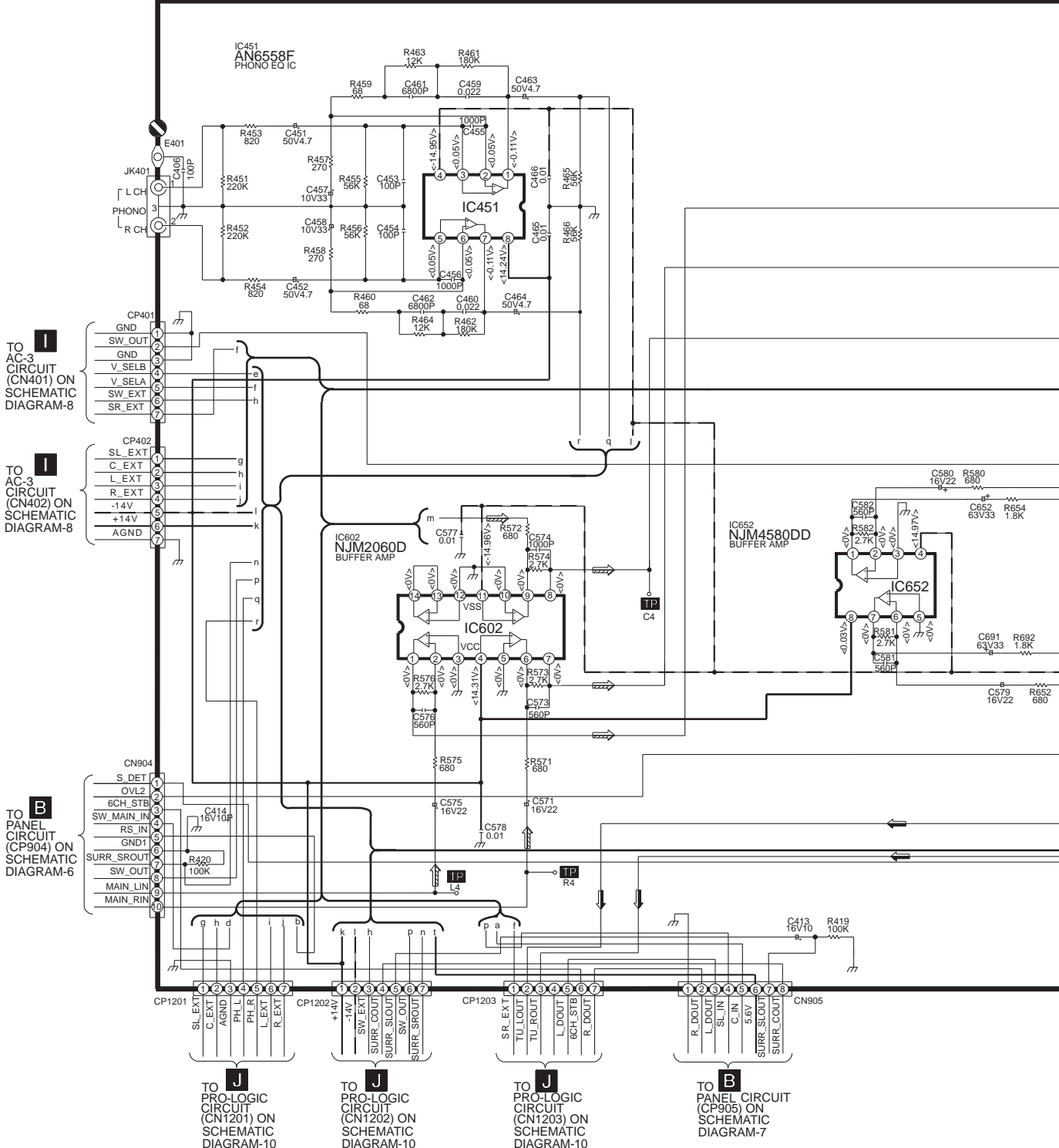


# SCHEMATIC DIAGRAM-1

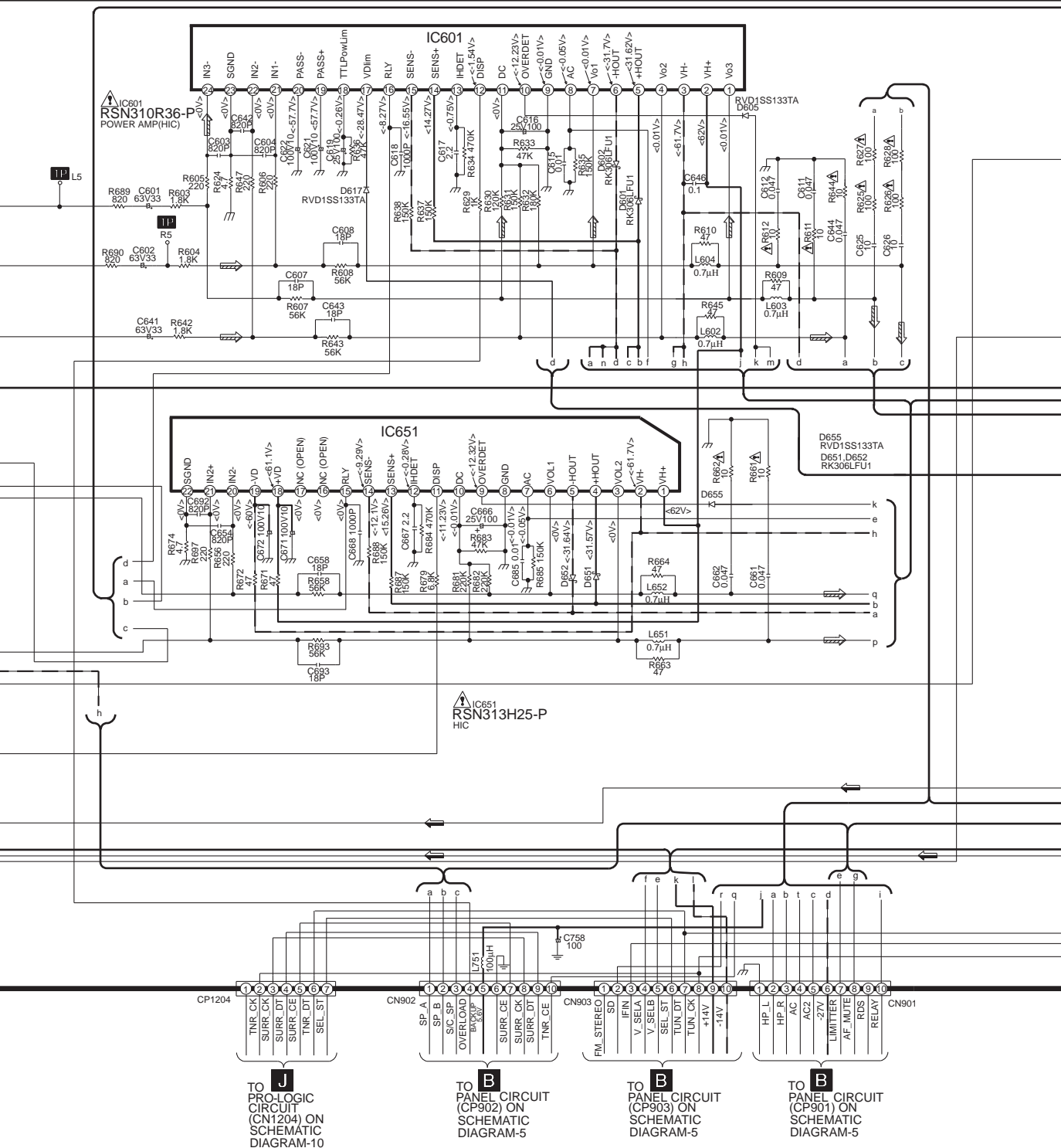
**A** MAIN CIRCUIT

— : +B line    - - - : -B line    ⇨ : Main signal line    ⇨ : FM/AM signal line



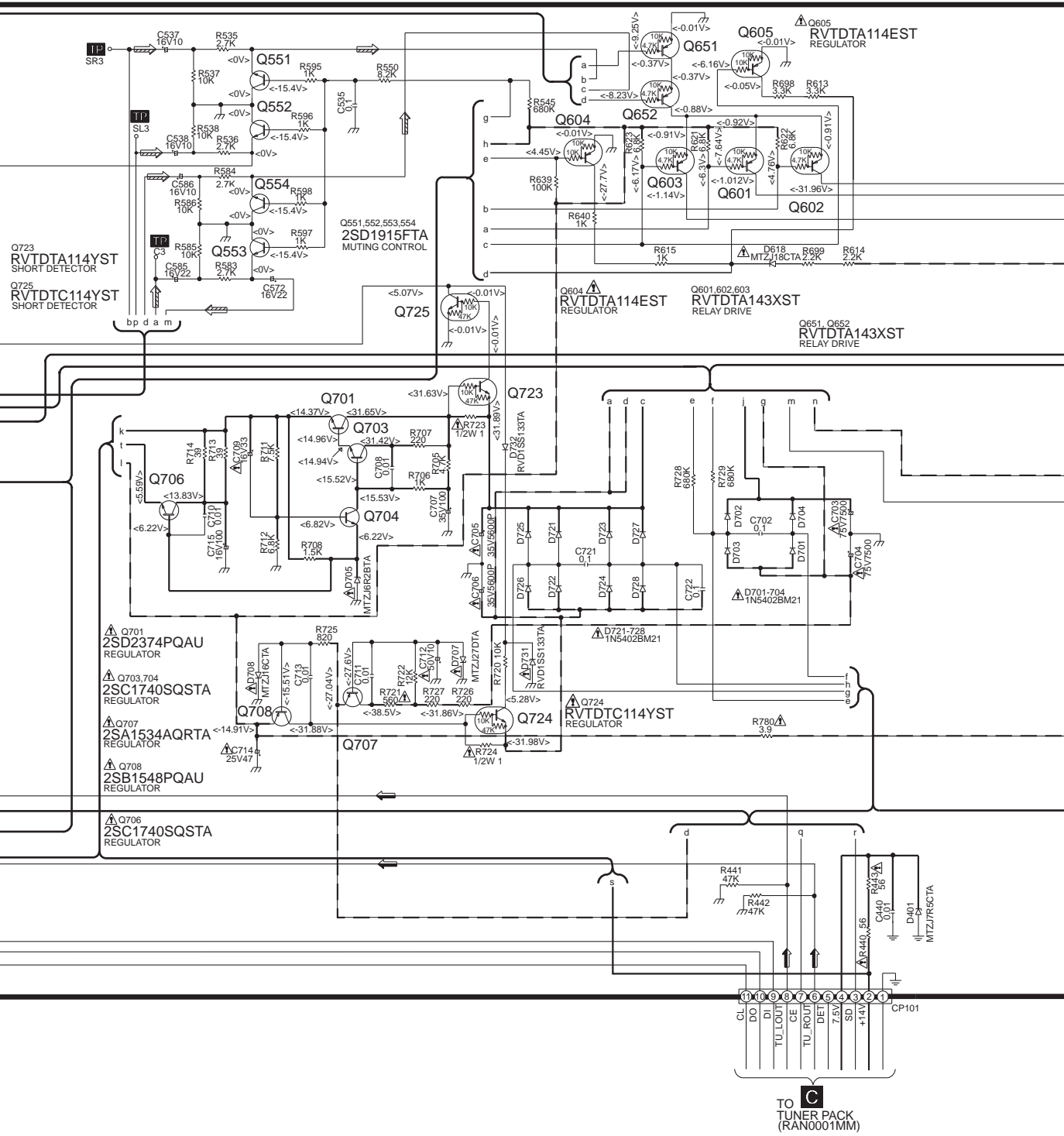
# SCHEMATIC DIAGRAM-2

— : +B line    - - - : -B line    ⇨ : Main signal line    ⇨ : FM/AM signal line



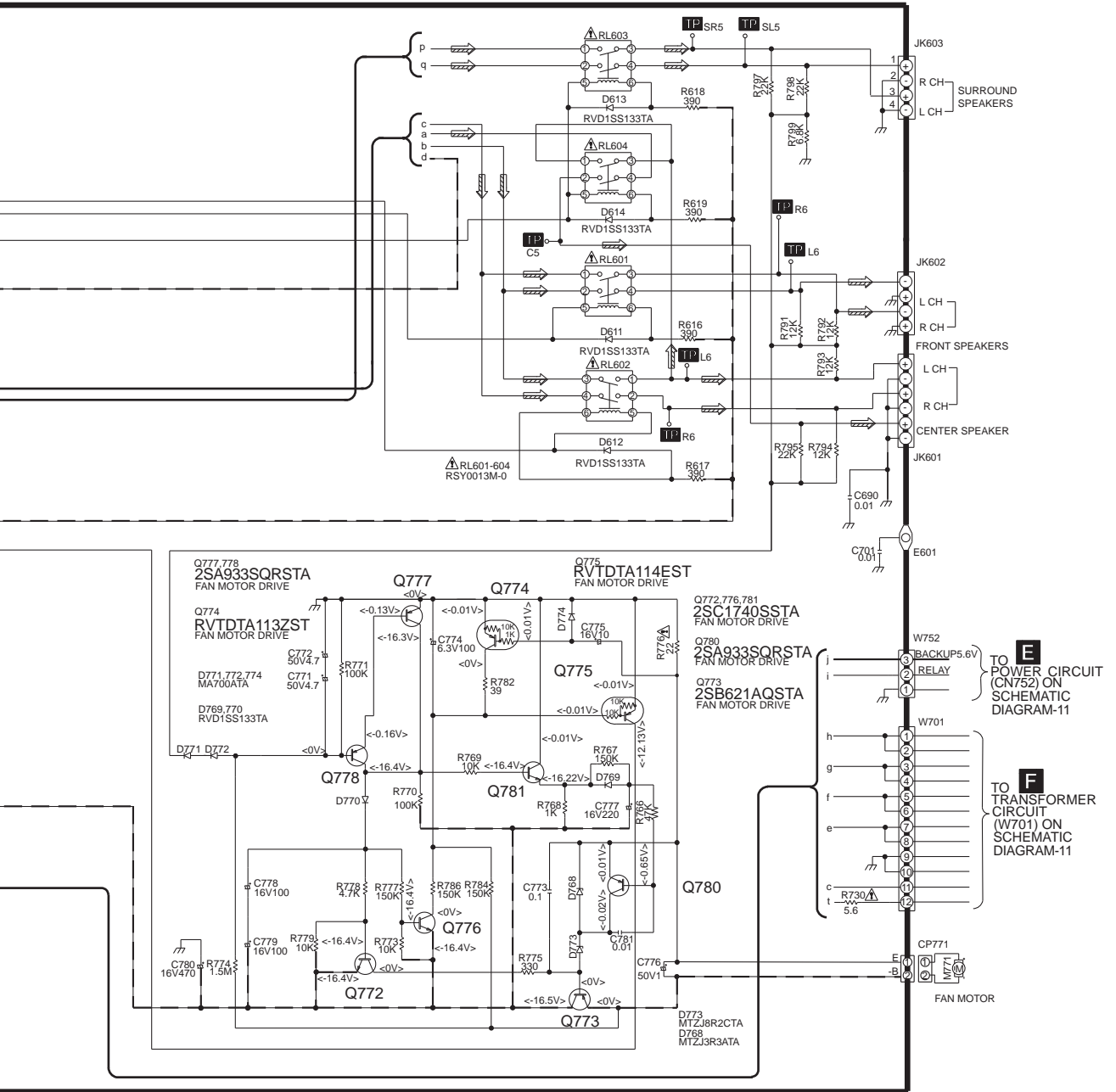
# SCHEMATIC DIAGRAM-3

: +B line   
  : -B line   
  : Main signal line   
  : FM/AM signal line



# SCHEMATIC DIAGRAM-4

—— : +B line    - - - : -B line    ≡ : Main signal line



# SCHEMATIC DIAGRAM-5

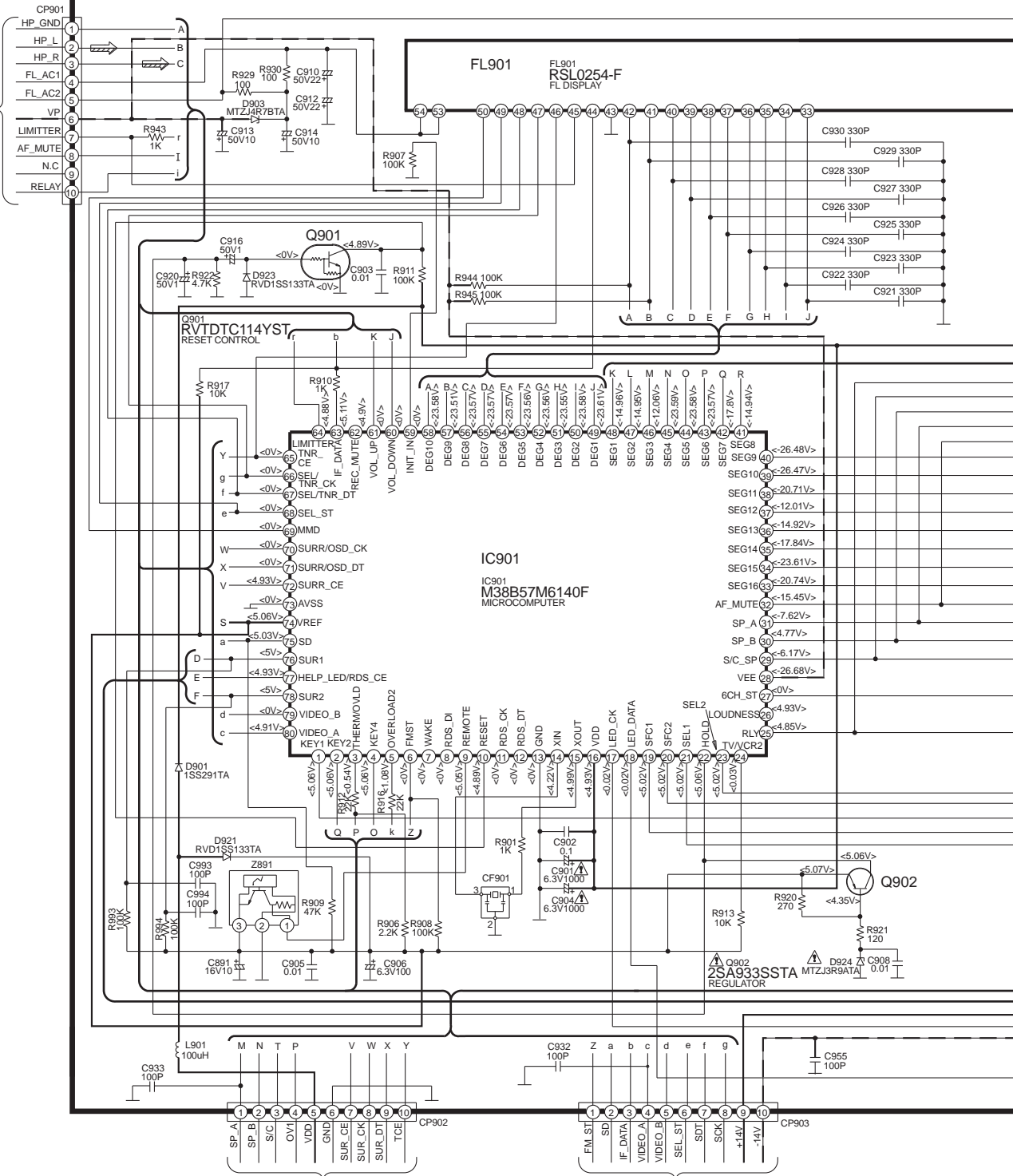
— : +B Line

- - - - - : -B Line

⇒ : Main Signal Line

## B PANEL CIRCUIT

TO MAIN CIRCUIT (CN901) ON SCHEMATIC DIAGRAM-2



TO MAIN CIRCUIT (CN902) ON SCHEMATIC DIAGRAM-2

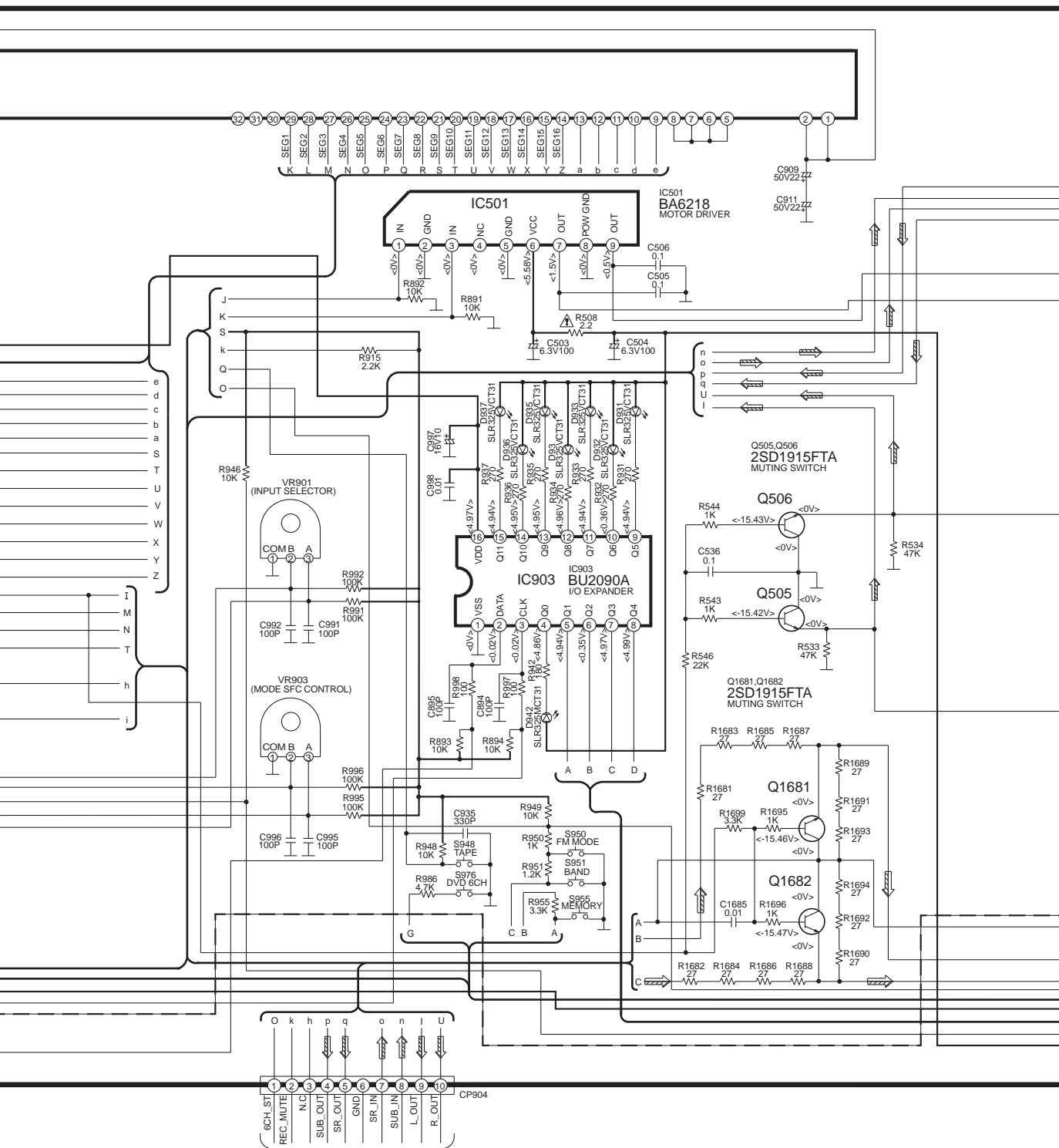
TO MAIN CIRCUIT (CN903) ON SCHEMATIC DIAGRAM-2

# SCHEMATIC DIAGRAM-6

\_\_\_\_\_ : +B Line

----- : -B Line

⇒ : Main Signal Line



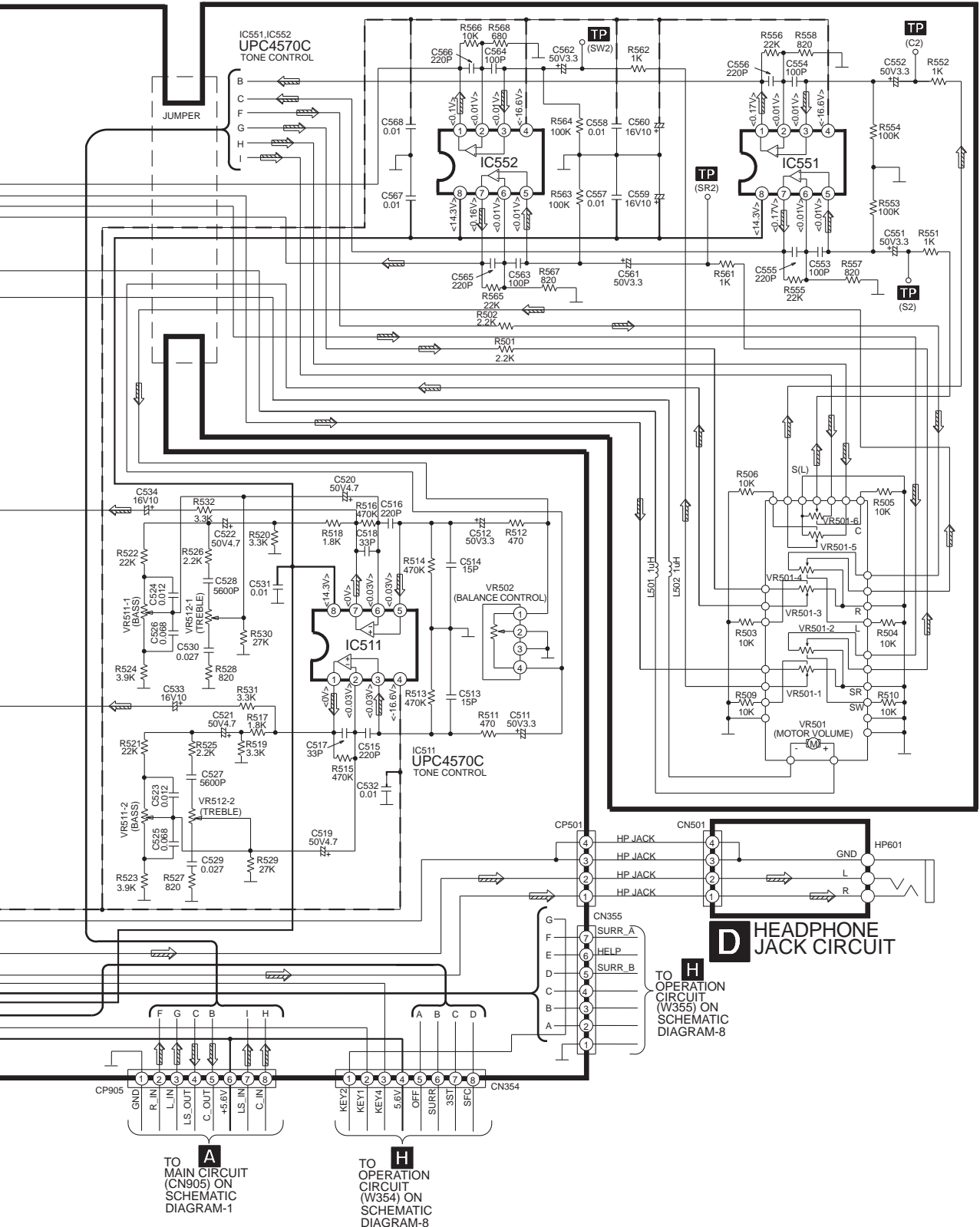
**A**  
TO  
MAIN CIRCUIT  
(CN904) ON  
SCHEMATIC  
DIAGRAM-1

# SCHEMATIC DIAGRAM-7

— : +B Line

- - - - - : -B Line

⇒ : Main Signal Line



**A**  
TO MAIN CIRCUIT  
(CN905) ON  
SCHEMATIC  
DIAGRAM-1

**H**  
TO OPERATION  
CIRCUIT  
(W354) ON  
SCHEMATIC  
DIAGRAM-8

**D** HEADPHONE  
JACK CIRCUIT

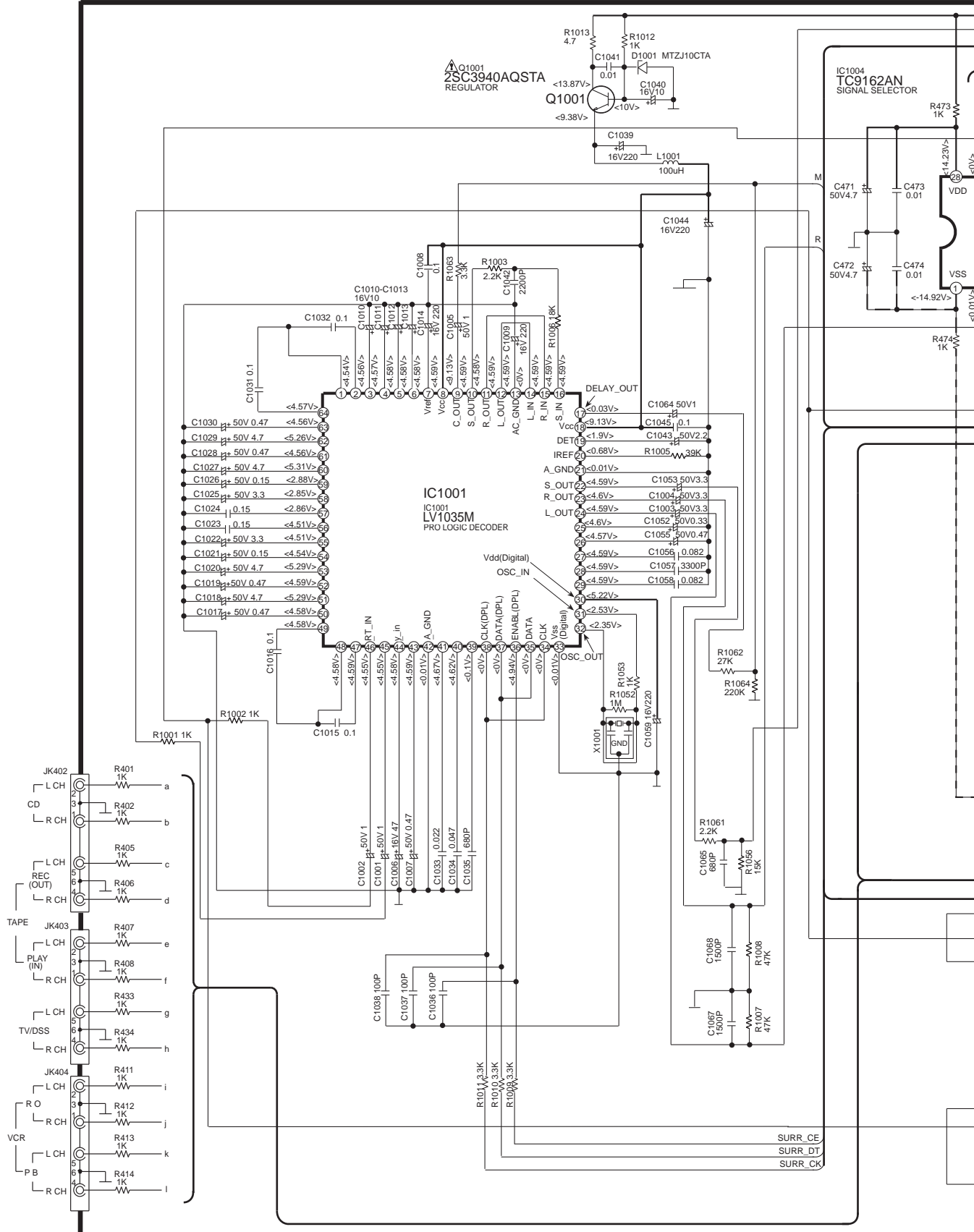
**H**  
TO OPERATION  
CIRCUIT  
(W355) ON  
SCHEMATIC  
DIAGRAM-8

SCHEMATIC DIAGRAM - 9



PRO-LOGIC CIRCUIT

— : +B Line    - - : -B Line    ⇨ : Main Signal Line

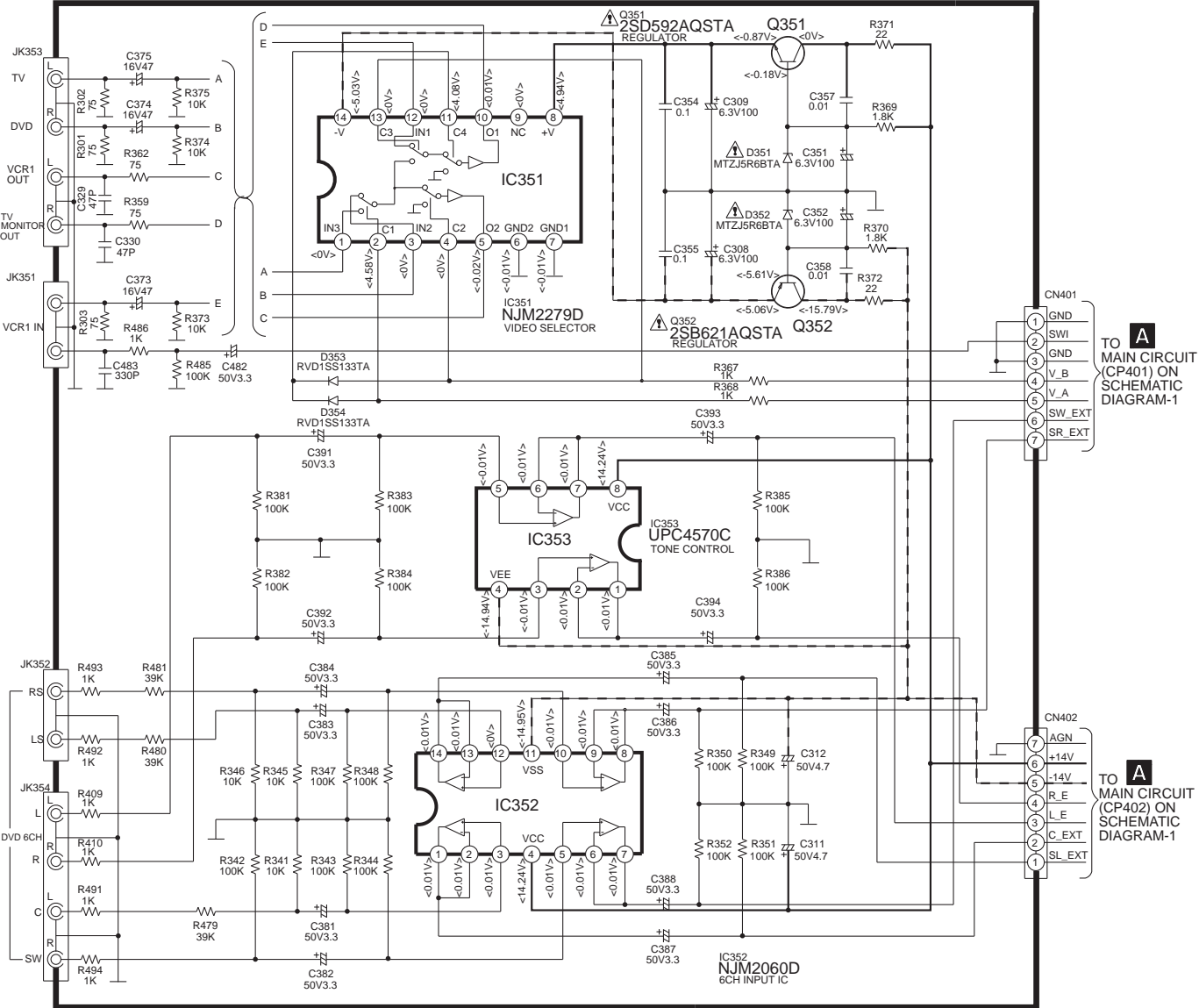






— : +B Line - - - - : -B Line

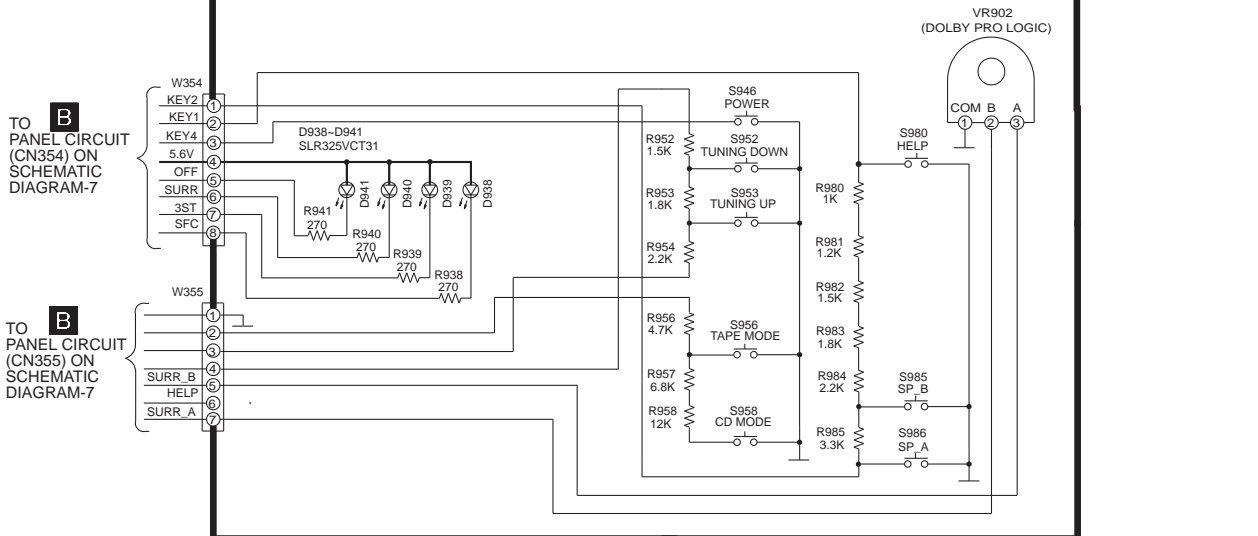
# AC-3 CIRCUIT



TO MAIN CIRCUIT (CP401) ON SCHEMATIC DIAGRAM-1

TO MAIN CIRCUIT (CP402) ON SCHEMATIC DIAGRAM-1

# OPERATION CIRCUIT



TO PANEL CIRCUIT (CN354) ON SCHEMATIC DIAGRAM-7

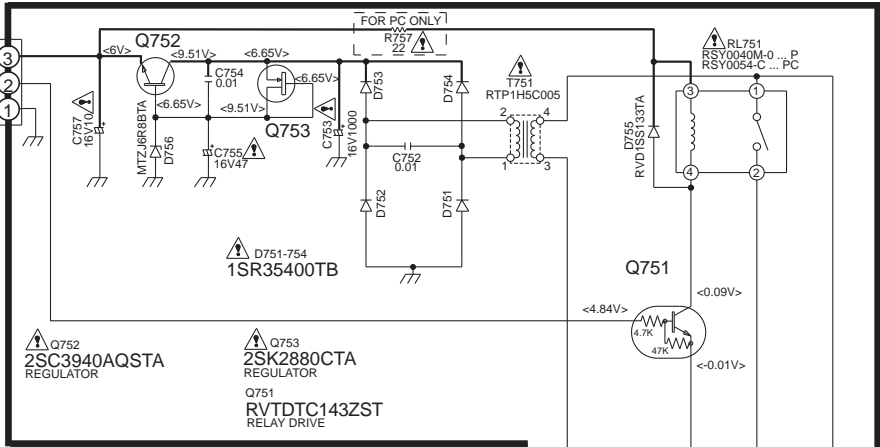
TO PANEL CIRCUIT (CN355) ON SCHEMATIC DIAGRAM-7

# SCHEMATIC DIAGRAM-11

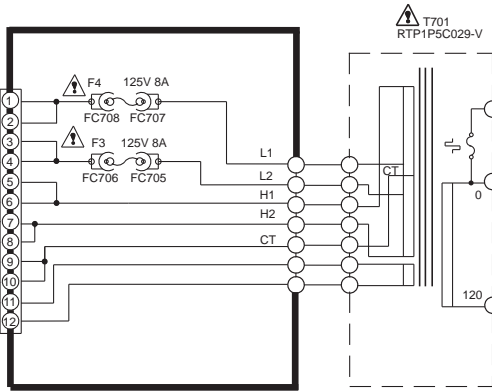
## E POWER CIRCUIT

— : +B line

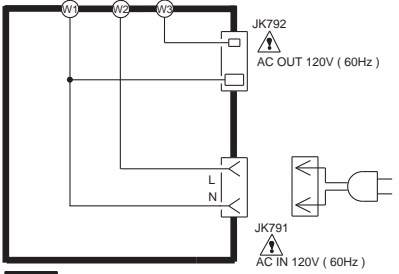
TO MAIN CIRCUIT (W752) ON SCHEMATIC DIAGRAM-4



TO MAIN CIRCUIT (W701) ON SCHEMATIC DIAGRAM-4



## F TRANSFORMER CIRCUIT



## G AC IN/OUT CIRCUIT